

Model 9126
SIGNAL COUPLER for 910/920
Logic Diagrams,
Current & History

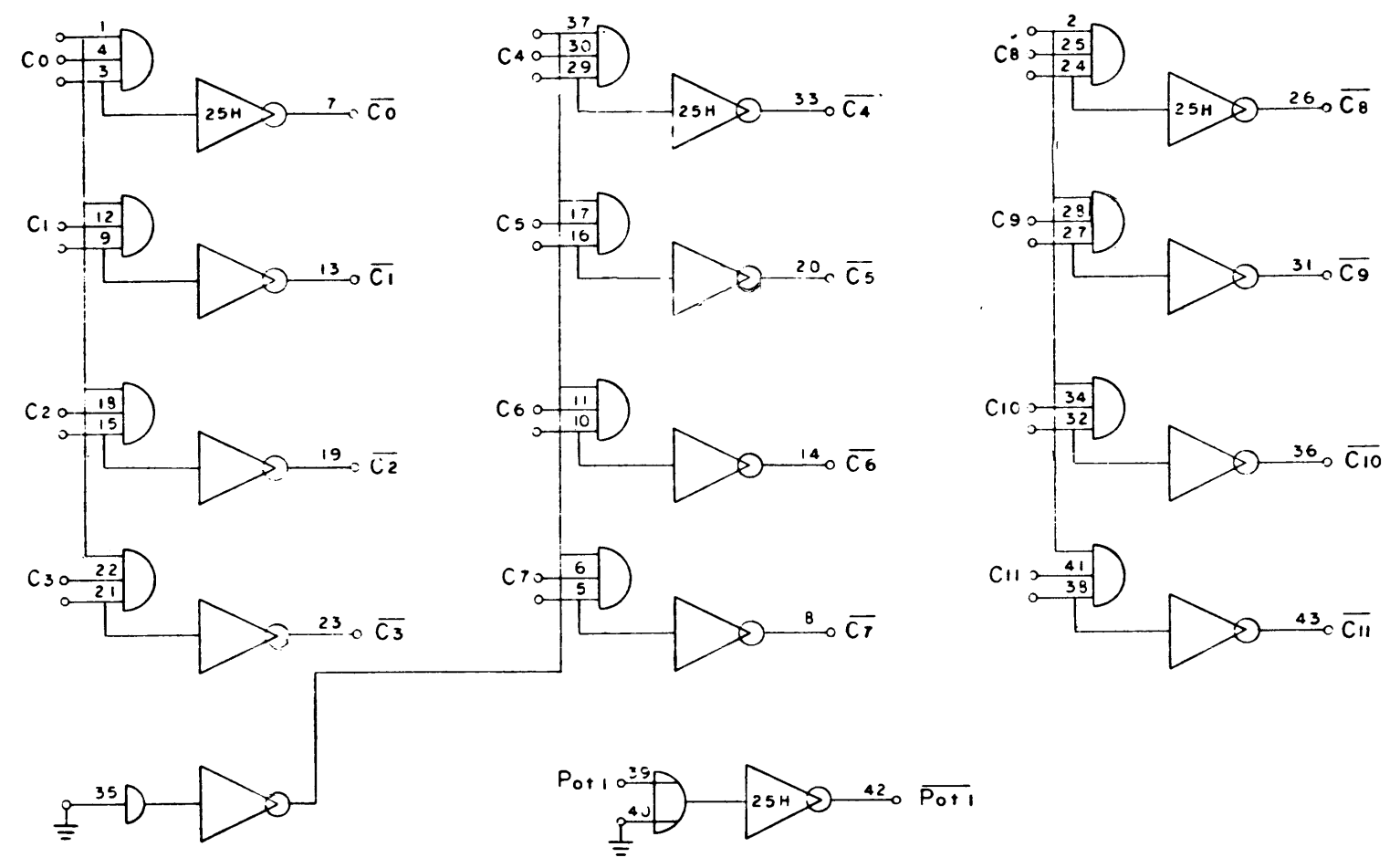
SDS 900545B

April 1965

SDS

SCIENTIFIC DATA SYSTEMS/1649 Seventeenth Street/Santa Monica, California/UP1-0960

REVISIONS				IC 3042	A
REV	DESCRIPTION	CHK	DATE	APPROVED	
A	RELEASED TO MFG		9/18/63		



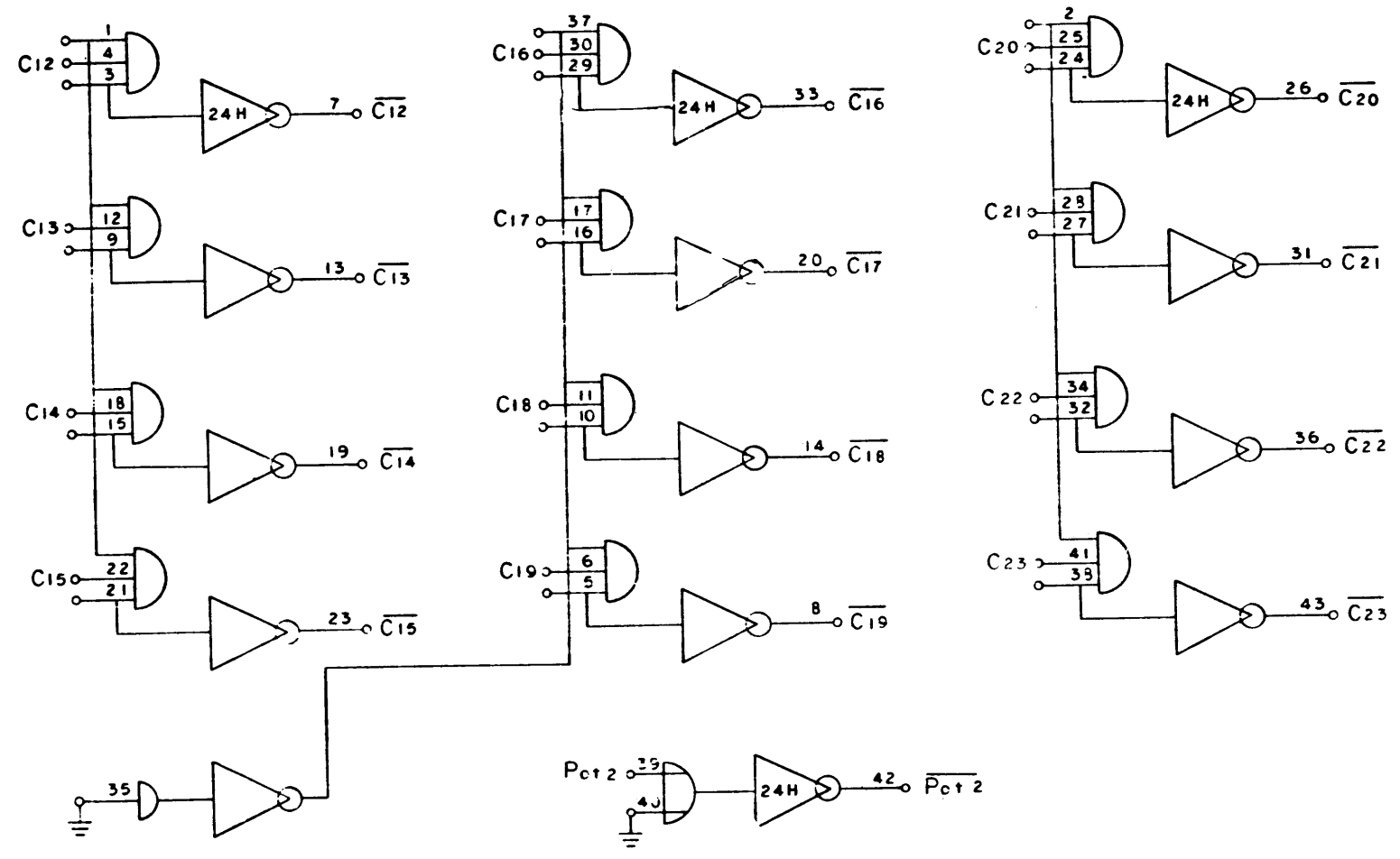
REFERENCE DESIGNATIONS ARE ABBREVIATED. PREFIX THE DESIGNATION WITH UNIT NUMBER OR ASSEMBLY DESIGNATION OR BOTH. (MIL. STD. 16B)

9126
SIGNAL COUPLER.
Page 1
A

103042 | A |

NO. REV.	DRAWING NO.	DESCRIPTION	REFERENCE DESIGNATION	ITEM NO.
MATERIAL LIST				
NOTES UNLESS SPECIFIED		CHECK	SDS SCIENTIFIC DATA SYSTEMS 1825 FIFTEENTH STREET SANTA MONICA, CALIFORNIA	
1 TOLERANCES UNLESS SPECIFIED		APPR	TITLE DIAGRAM, LOGIC, SIGNAL COUPLER	
2 ANGULAR 2 1/4"				
3 BREAK ALL SHARP EDGES			MODEL NO. 9126 NEXT ASSY.	
4 RADIUS SURFACES				
5 ALL DIMS IN INCHES			SIZE D	DWG NO. 103042
			SCALE	SHEET

REVISIONS				103042 A	
REV	DESCRIPTION	CHK	DATE	APPROVED	
A	RELEASED TO MFG	evb	1/6/58	[Signature]	

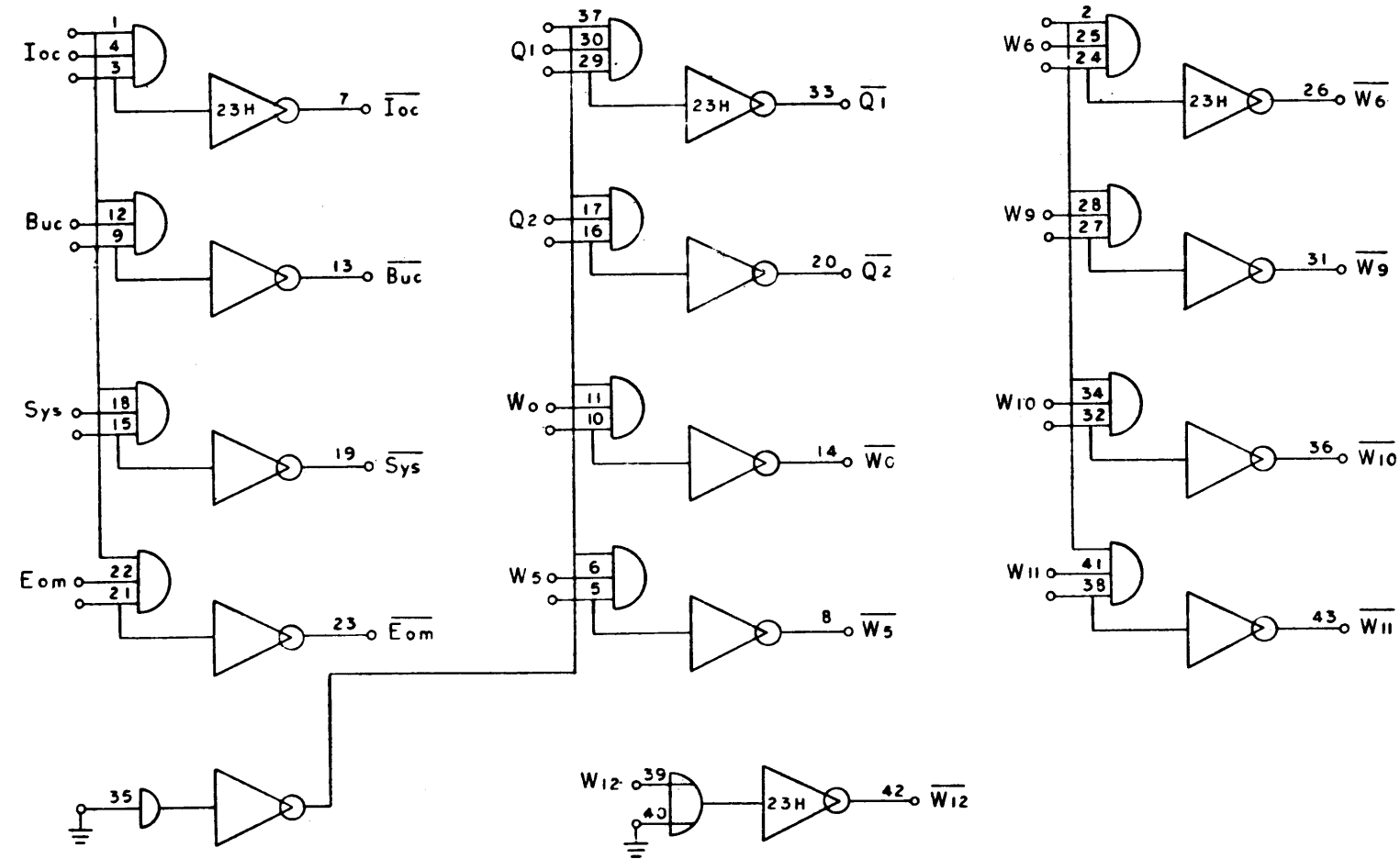


9126
SIGNAL COUPLER
Page 2
A

103042 A

NO. REV.	DRAWING NO.	DESCRIPTION	REFERENCE DESIGNATION	ITEM NO.
NOTES UNLESS SPECIFIED				
1. TOLERANCES UNLESS SPECIFIED		DRAWN	MATERIAL LIST	
2. DIMENSIONS ARE IN INCHES		CHECK	SDS SCIENTIFIC DATA SYSTEMS	
3. HOLE ALL SHARP EDGES		APPR	1225 21ST STREET, SAN DIEGO, CALIFORNIA	
4. HOLE APPROX			TITLE	
5. HOLE SURFACES			DIAGRAM, LOGIC, SIGNAL COUPLER	
6. ALL DIM IN INCHES				
MODEL NO.	9126	SIZE	DWG NO.	A
NEXT ASSY.		D	103042	
		SCALE	DO NOT SCALE DRAWING	SHEET

REVISIONS				IC 3042 A
REV	DESCRIPTION	CHK	DATE	APPROVED
A	RELEASED TO MFG	CB	6/6/63	[Signature]

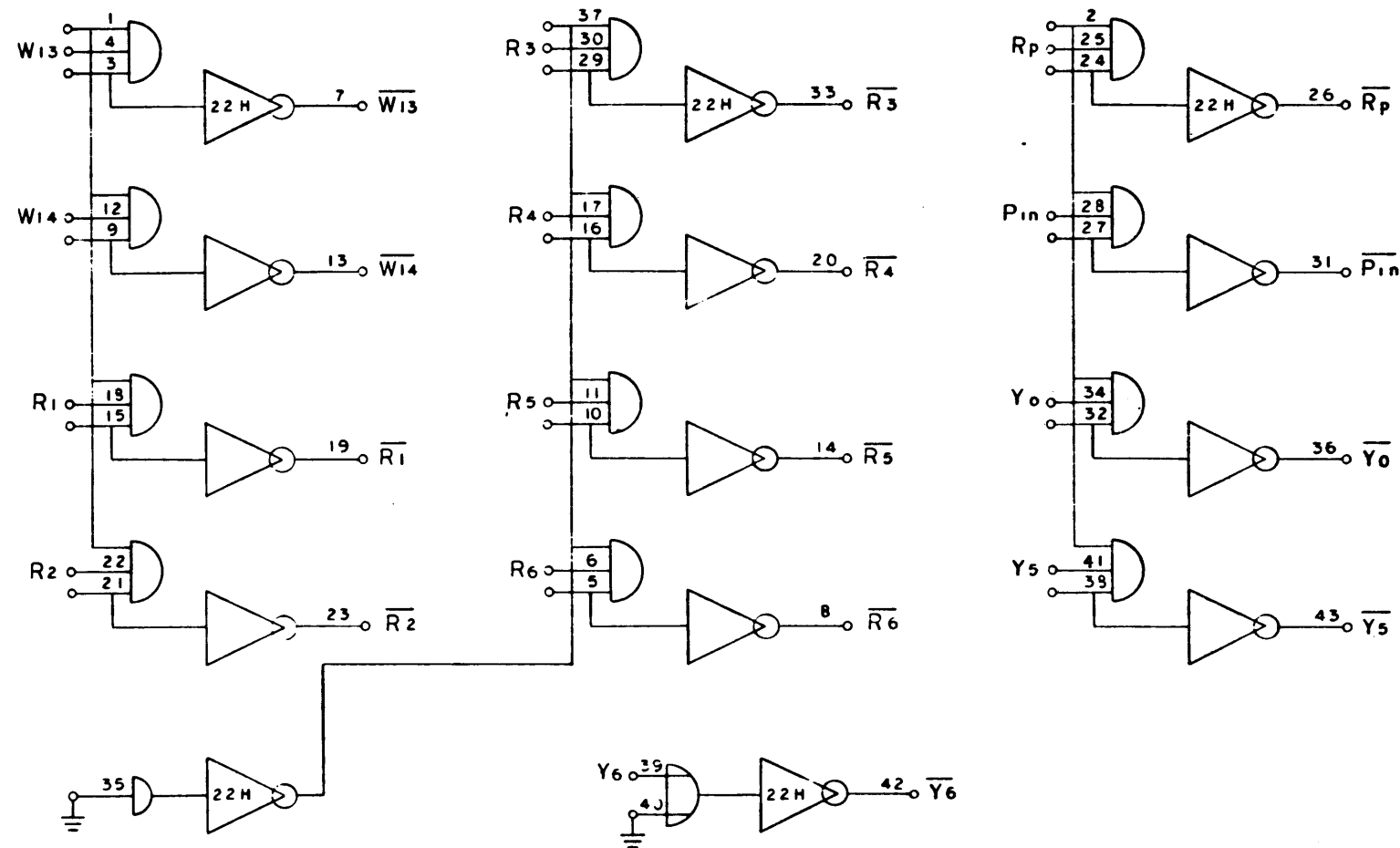


9126
SIGNAL COUPLER
Page 3
A

103042 A

NO. REC.	DRAWING NO.	DESCRIPTION	REFERENCE DESIGNATION	ITEM NO.
NOTES UNLESS SPECIFIED				
1. TOLERANCES UNLESS SPECIFIED		DRAWN: [Signature]	MATERIAL LIST	
2. ANGULAR DIMENSIONS		CHECK: [Signature]	SDS SCIENTIFIC DATA SYSTEMS	
3. BREAK ALL SHARP EDGES 0.10 APPROX		APP: [Signature]	1645 FIFTEENTH STREET SANTA MONICA CALIFORNIA	
4. HATCH SURFACES			TITLE	
5. ALL DIM IN INCHES			DIAGRAM, LOGIC, SIGNAL COUPLER	
MODEL NO.	9126		SIZE	DWG NO.
SHEET AMOUNT			D	103042 A
SCALE			DO NOT SCALE DRAWING	SHEET

REV		DESCRIPTION		CHG	DATE	APPROVED
A		RELEASED TO MFG				<i>[Signature]</i>

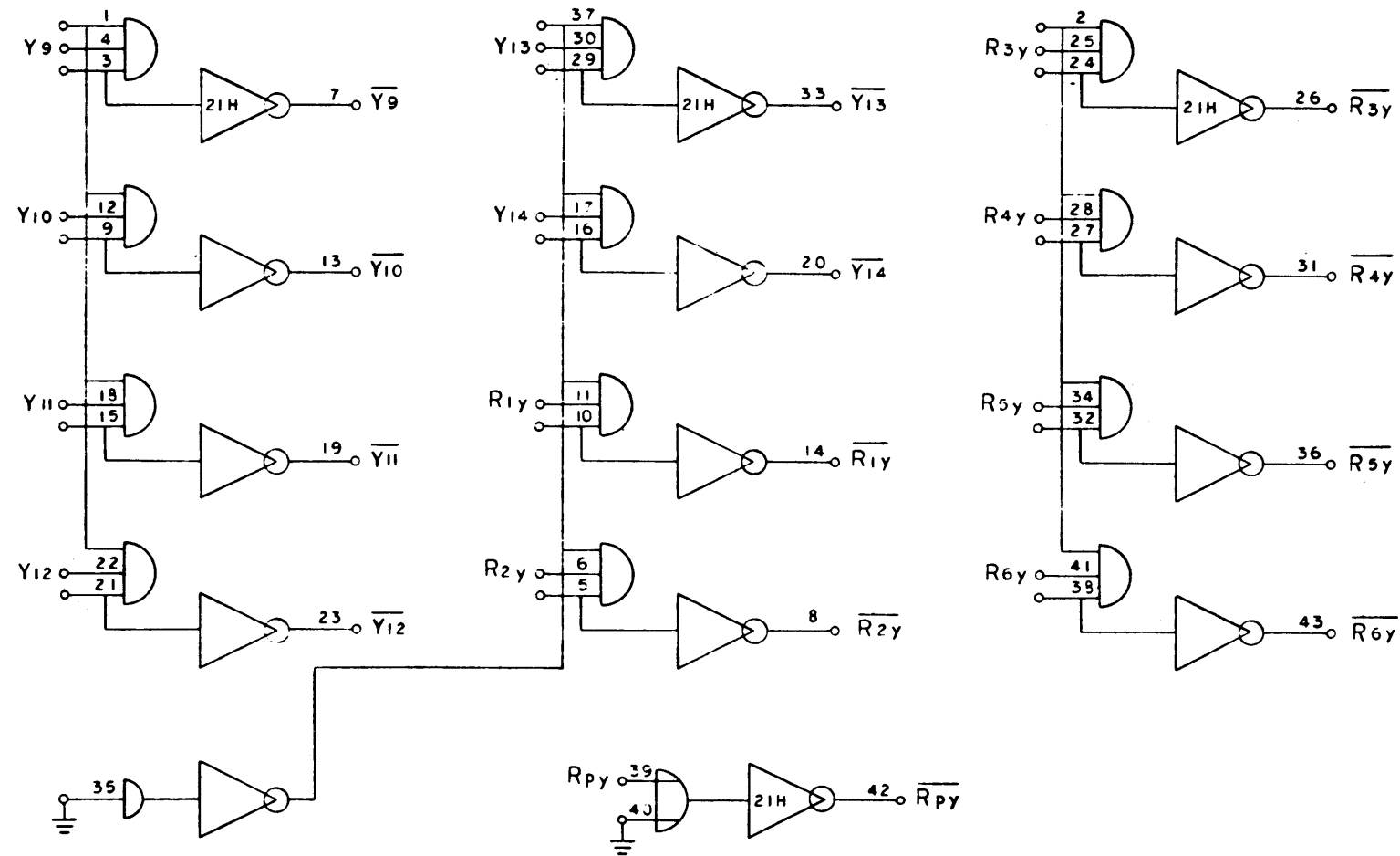


9126
SIGNAL COUPLER
Page 4
A

NO. REQ.	DRAWING NO.	DESCRIPTION	REFERENCE DESIGNATION	ITEM NO.
NOTES UNLESS SPECIFIED				
1 TELEPACKETS		DRAWN	SDS SCIENTIFIC DATA SYSTEMS	
2 1 5/16" ANGLE		CHECK	1245 PATENT ST. SANTA MONICA, CALIFORNIA	
3 3/4" 5/16"		APPR	TITLE	
4 BREAK ALL SHARP CORNERS			DIAGRAM, LOGIC, SIGNAL COUPLER	
5 0.005" SPACING			MODEL NO. 9126	
6 EACH SURFACE			REV. D DWG NO. 103042	
7 ALL DIM. IN INCHES			A	
NEXT ASSY			SCALE	DO NOT SCALE DRAWING SHEET

103042 A

REV		REVISIONS		CHK		DATE		APPROVED	
A		RELEASED TO MFG		C/S	6/6/63			103042A	

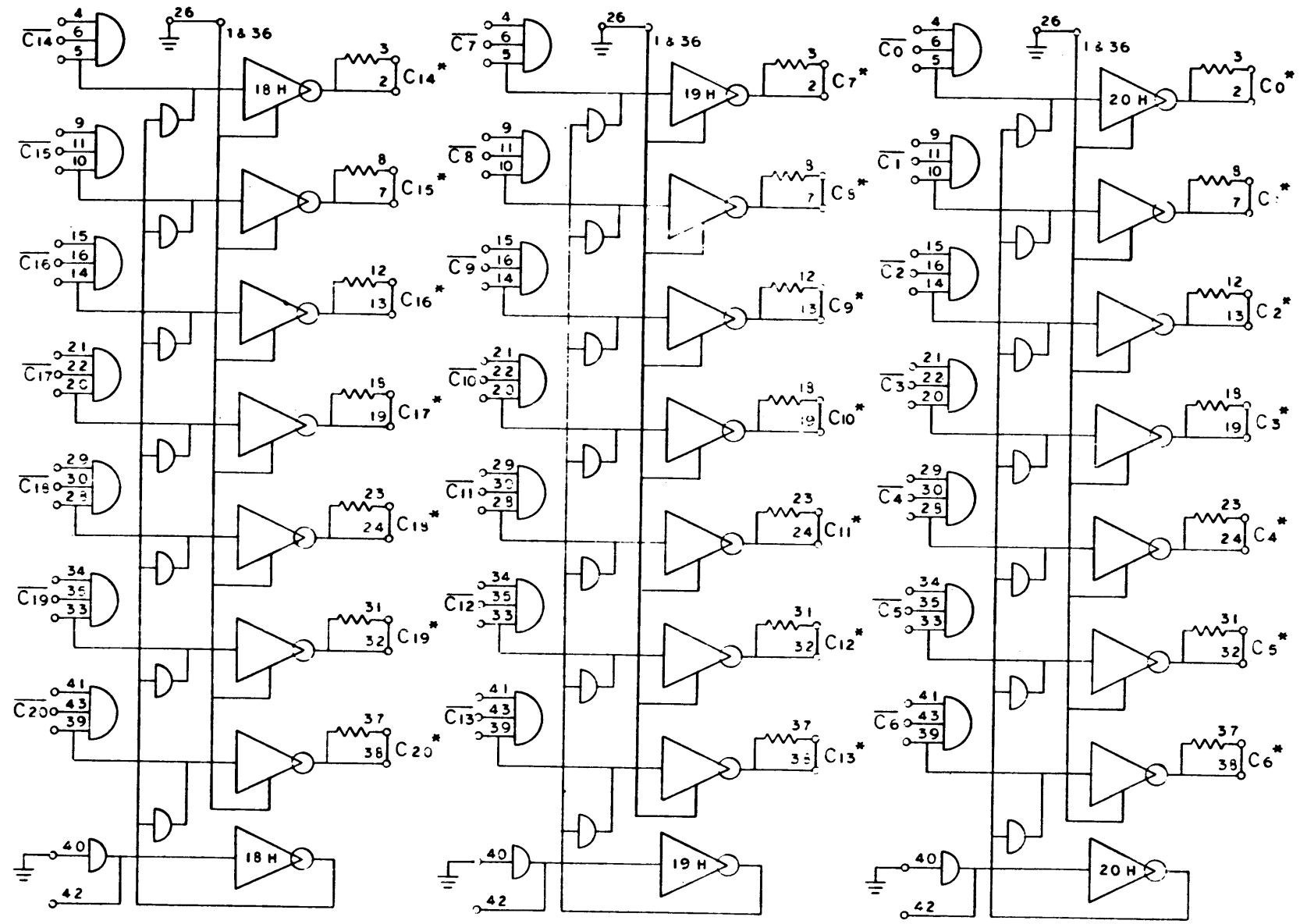


9126
 SIGNAL COUPLER
 Page 5
 A

103042 A

NO	DRAWING NO	DESCRIPTION	REFERENCE DESIGNATION	ITEM NO.
NOTES UNLESS SPECIFIED				
1. TOLERANCES UNLESS SPECIFIED 2. DIMENSIONS ARE IN INCHES 3. HOLE SURFACES 4. ALL DIM IN DECIMALS		DRAWN: <i>[Signature]</i> CHECK: <i>[Signature]</i> APPR: <i>[Signature]</i>	DATE: 5/6/63 TITLE:	MATERIAL LIST SDS SCIENTIFIC DATA SYSTEMS 1425 FIFTEENTH STREET SANTA MONICA CALIFORNIA
MODEL NO. 9126		Dwg NO. 103042		A
NEXT REV.		SCALE		DO NOT SCALE DRAWING SHEET

REV		DESCRIPTION		DATE		APPROVED	
A		RELEASED TO MFG		C.B. 6/63			

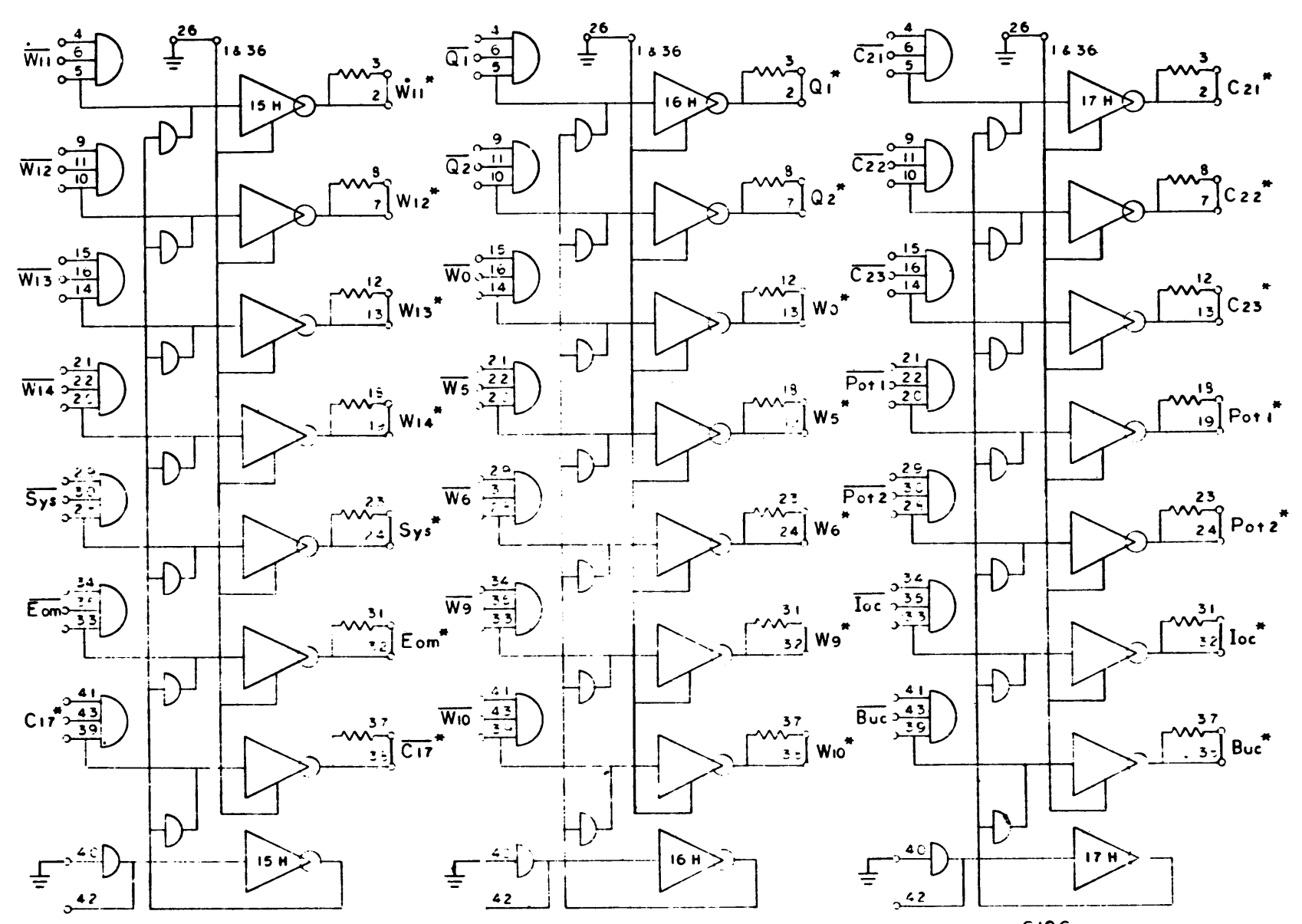


9126
SIGNAL COUPLER
PAGE 6
A

103042 | A |

NO. REV.	DRAWING NO.	DESCRIPTION	REFERENCE DESIGNATION	ITEM NO.
NOTES UNLESS SPECIFIED				
1. TOLERANCES UNLESS SPECIFIED		DRAWN: <i>J.H.</i> 5/5/63	SDS SCIENTIFIC DATA SYSTEMS 1545 FIFTEENTH STREET, SANTA MONICA, CALIFORNIA	
2. BREAK ALL SHARP EDGES 0.10 APPROX.		CHECK: <i>C. J. Henshaw</i> 6/6/63		
3. HATCH SURFACES		APPR: <i>...</i>	TITLE: DIAGRAM, LOGIC, SIGNAL COUPLER	
4. ALL DIM. IN INCHES				
MODEL NO.	9126	SIZE	DWG NO.	A
NEXT ASSY.		SCALE	DO NOT SCALE DRAWING	SHEET

REV	DESCRIPTION	DATE	APPROVED
A	RELEASED TO MFG	12/15/63	[Signature]



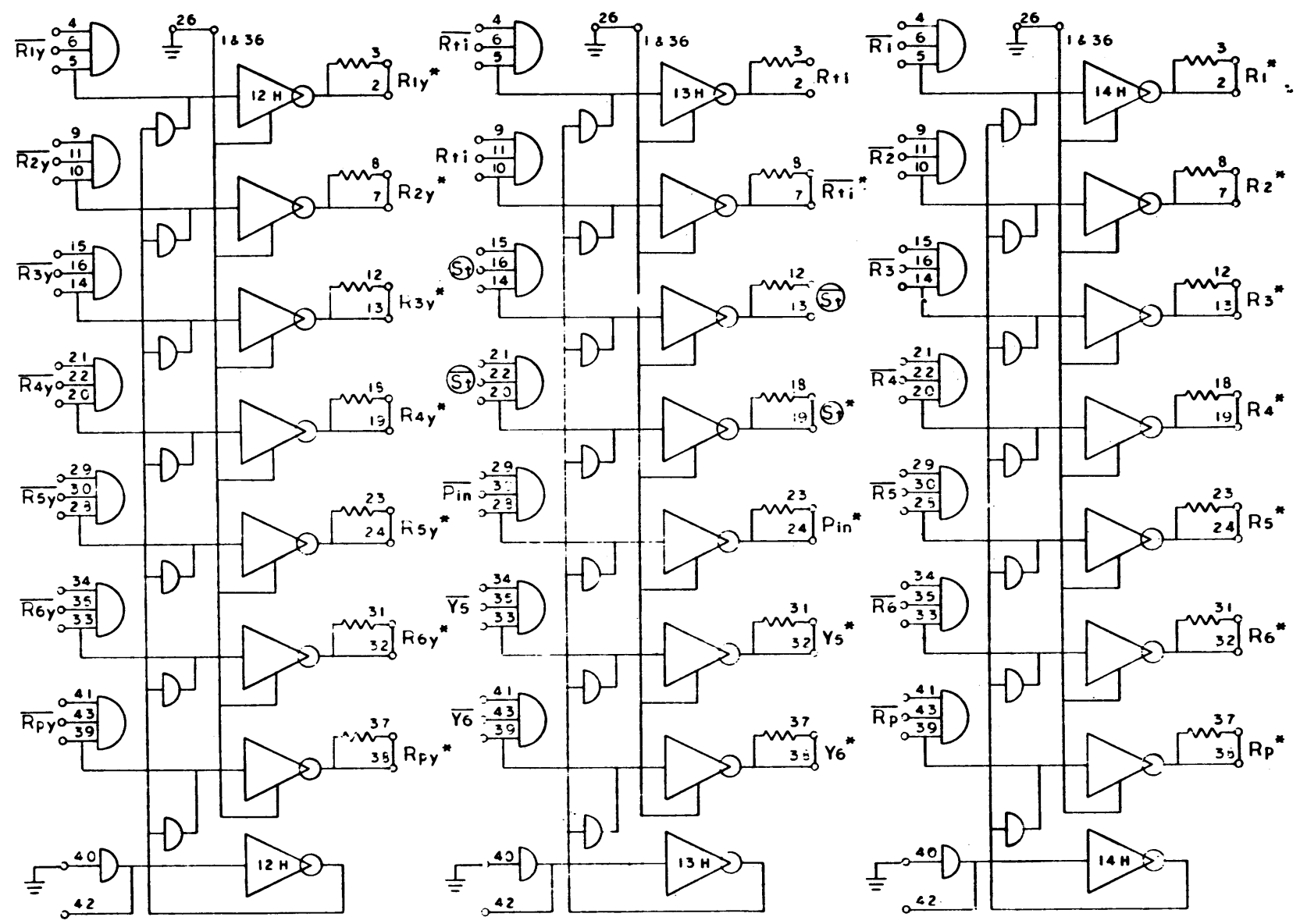
9126
SIGNAL COUPLER
Page 7 A

103042 | A |

REV	DRAWING NO.	DESCRIPTION	REFERENCE DESIGNATION	REV

NOTES UNLESS SPECIFIED		MATERIAL LIST		TITLE	
1. TOLERANCES UNLESS SPECIFIED	DRAWN	Q1/63	Q1/63	SDS SCIENTIFIC DATA SYSTEMS 1545 FIFTEENTH STREET SANTA MONICA, CALIFORNIA	
2. BREAK ALL SHARP EDGES	CHECK	C1/63	Q1/63		
3. HATCH SURFACES	APPR	[Signature]	[Signature]		
4. ALL DIM IN INCHES				DIAGRAM, LOGIC, SIGNAL COUPLER	
MODEL NO.	9126	SIZE	DWS NO.	D	103042 A
NEXT ASSY.		SCALE	DO NOT SCALE DRAWING	SHEET	

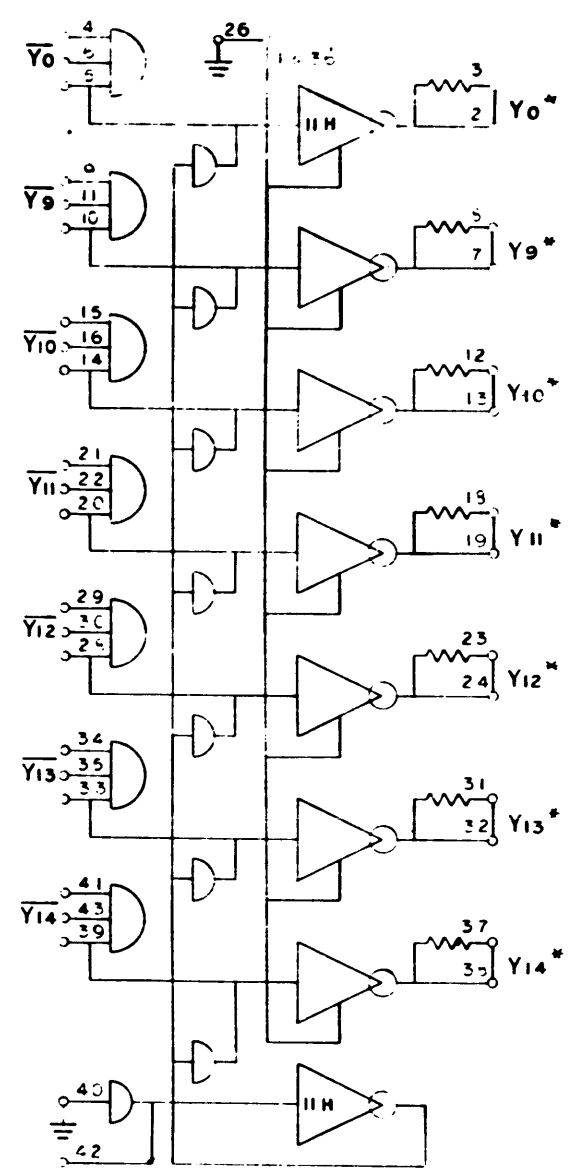
REV		DESCRIPTION		CHE	DATE	APPROVED	103042 A
A		RELEASED TO MFG		C. B. White			



9126
SIGNAL COUPLER
PAGE 8
A

NO. REV.	DRAWING NO.	DESCRIPTION	REFERENC. DESIGNATION	ITEM NO.
MATERIAL LIST				
NOTES UNLESS SPECIFIED: * TOLERANCES UNLESS SPECIFIED: ANGULAR 1/4" 1/4" 1/4" 1. BREAK ALL DIMENTIONS 0.10 APPROX. 2. HATCH SURFACES ✓ 3. ALL DIM IN INCHES				
DRAWN: <i>DH</i> 5/1/63 CHECK: <i>W. H. H.</i> 6/1/63 APPR: <i>C. B. White</i> 5/1/63		SDS SCIENTIFIC DATA SYSTEMS 1430 FORTITUDE STREET, SANTA MONICA, CALIFORNIA WYLE DIAGRAM, LOGIC, SIGNAL COUPLER		
MODEL NO. 9126 SHEET ASSY.		SHEET NO. D PART NO. 103042 SHEET A		
SCALE		DO NOT SCALE DRAWING		

103042 1A



10	9	8	7	6	5	4	3	2	1
AUX W	AUX W	AUX W	AUX W	MT W	POT	POT	AUX Y	AUX Y	MT Y

9126
SIGNAL COUPLER
Page 9
A

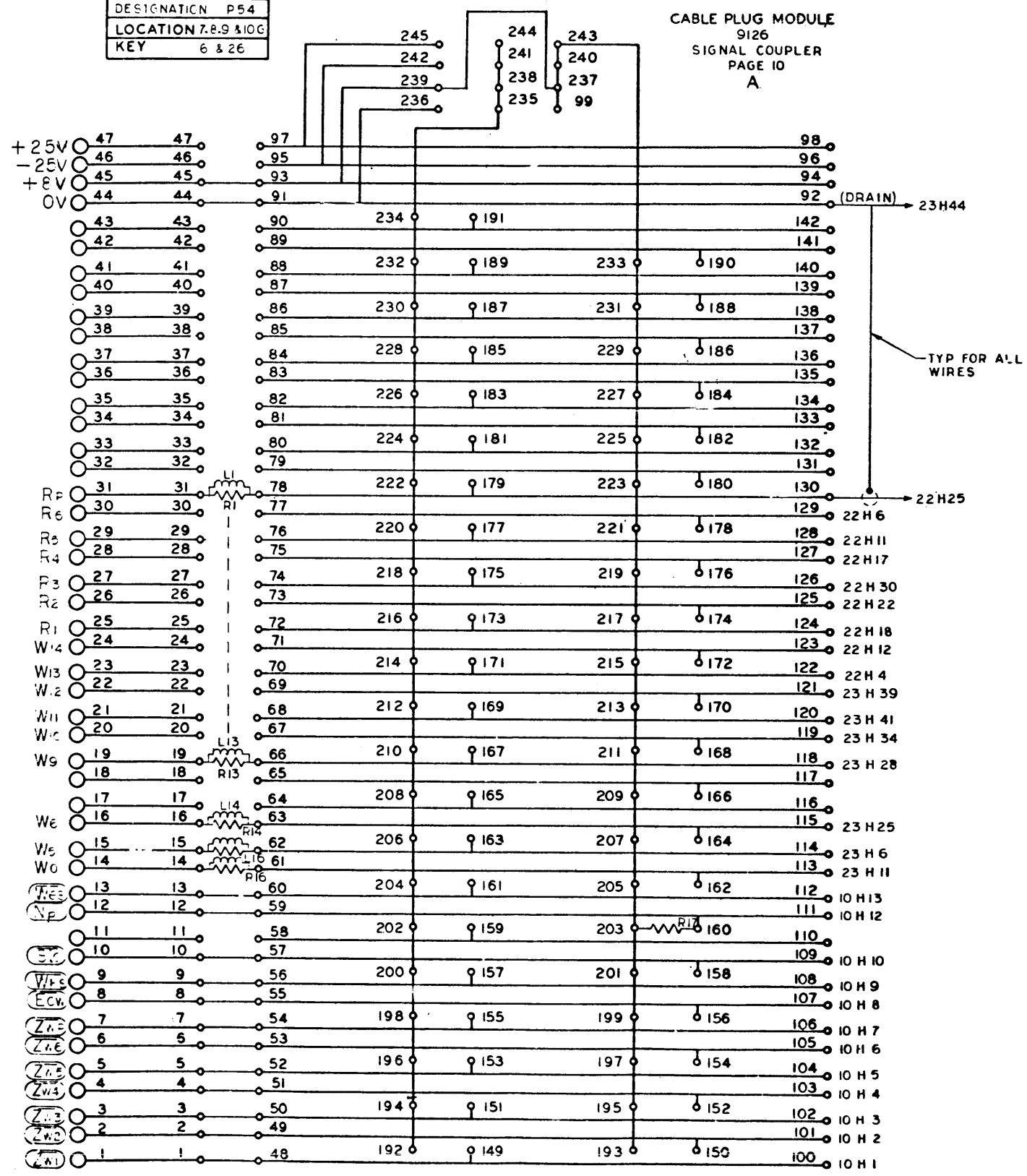
103042 A

NO. REG.	DRAWING NO.	DESCRIPTION	REFERENCE DESIGNATION	ITEM NO.
NOTES UNLESS SPECIFIED		MATERIAL LIST		
1. TOLERANCES XX ± .005 X ± .010 Ø ± .010		DRAWN: <i>S. J.</i> CHECK: <i>S. J.</i> APPR: <i>S. J.</i>	DATE: <i>6/14/63</i> TITLE:	SDS SCIENTIFIC DATA SYSTEMS 1525 FIFTEENTH STREET SANTA MONICA CALIFORNIA
2. BREAK ALL SHARP EDGES 3. MATCH SURFACES ✓ 4. ALL DIM. IN INCHES		DIAGRAM, LOGIC, SIGNAL COUPLER		
MODEL NO.	9126	SIZE	DWG NO.	103042
NEXT ASSY.		D	A	
SCALE		DO NOT SCALE DRAWINGS SHEET		

REVISIONS				103042	A
REV	DESCRIPTION	CHK	DATE	APPROVED	
A	RELEASED TO MFG		01/13/63		

DESIGNATION P54
 LOCATION 7.8.9 & 10G
 KEY 6 & 26

CABLE PLUG MODULE
 9126
 SIGNAL COUPLER
 PAGE 10
 A



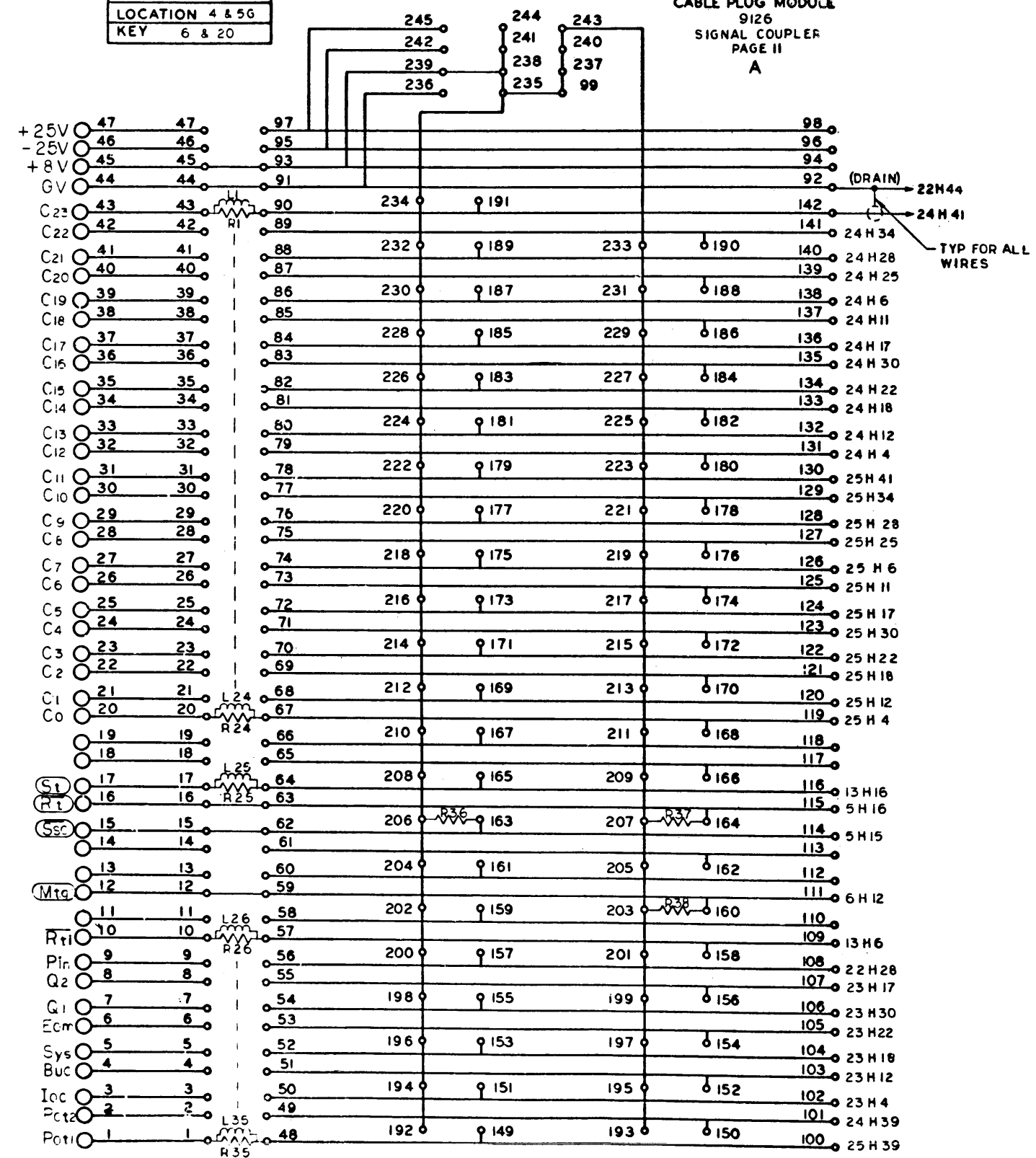
NO. REQ	DRAWING NO.	DESCRIPTION	REFERENCE DESIGNATION	ITEM NO.
NOTES UNLESS SPECIFIED				
1. TOLERANCES UNLESS SPECIFIED		DRAWN C. CASTRO 5-2-63	MATERIAL LIST	
2. .000 ANGULAR		CHECK [Signature]	SDS IDENTIFIC DATA SYSTEMS	
3. .010		APPR [Signature]	1442 FIFTEENTH STREET SANTA MONICA CALIFORNIA	
4. BREAK ALL SHARP EDGES		TITLE		
5. 910 APPROX		DIAGRAM, LOGIC SIGNAL COUPLER		
6. MACH SURFACES		SCALE		
7. ALL DIM. IN INCHES		DO NOT SCALE DRAWING SHEET		
MODEL NO. 9126		REV. D	DWG NO. 103042	SHEET A

100714

REVISIONS			
REV	DESCRIPTION	CHK	DATE
A	RELEASED TO MFG	CJB	6/13/63

DESIGNATION P55
LOCATION 4 & 5G
KEY 6 & 20

CABLE PLUG MODULE
9126
SIGNAL COUPLER
PAGE II
A

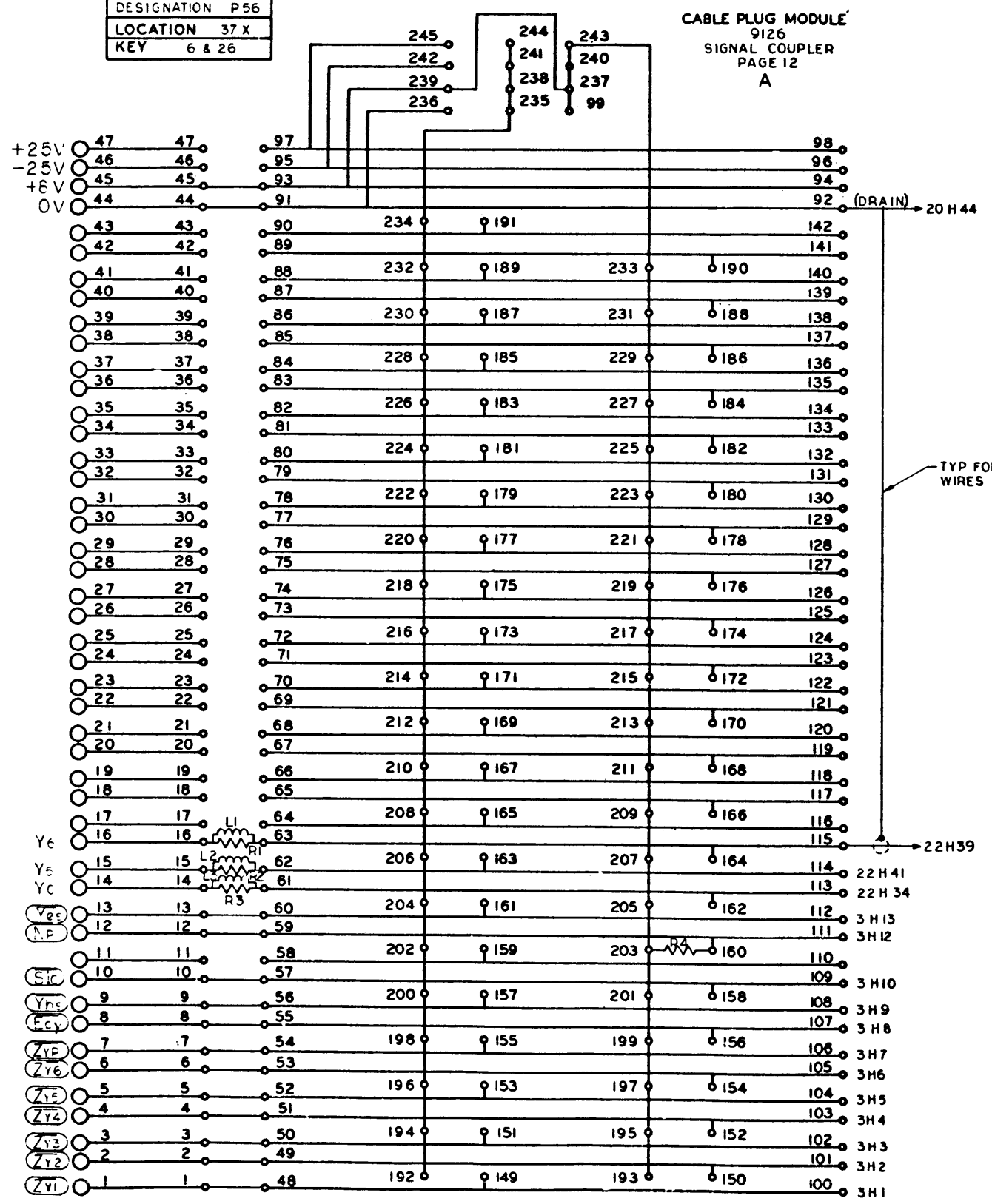


NO	DRAWING NO.	DESCRIPTION	REFERENCE DESIGNATION	ITEM NO.
NOTES UNLESS SPECIFIED				
1		WELDING		
2		DRILL ALL HOLES		
3		DRILL ALL HOLES		
4		DRILL ALL HOLES		
5		DRILL ALL HOLES		
MATERIAL LIST				
SDS SCIENTIFIC DATA SYSTEMS 1442 FIFTEENTH STREET, SAN JOSE, CALIFORNIA				
DIAGRAM, LOGIC SIGNAL COUPLER				
MODEL NO.	9126	REV. NO.	D	103042
SCALE		DO NOT SCALE DRAWING		SHEET

REVISIONS			
REV	DESCRIPTION	CHK	DATE
A	RELEASED TO MFG	CLB	4/16/63

DESIGNATION P56
LOCATION 37 X
KEY 6 & 26

CABLE PLUG MODULE
9126
SIGNAL COUPLER
PAGE 12
A



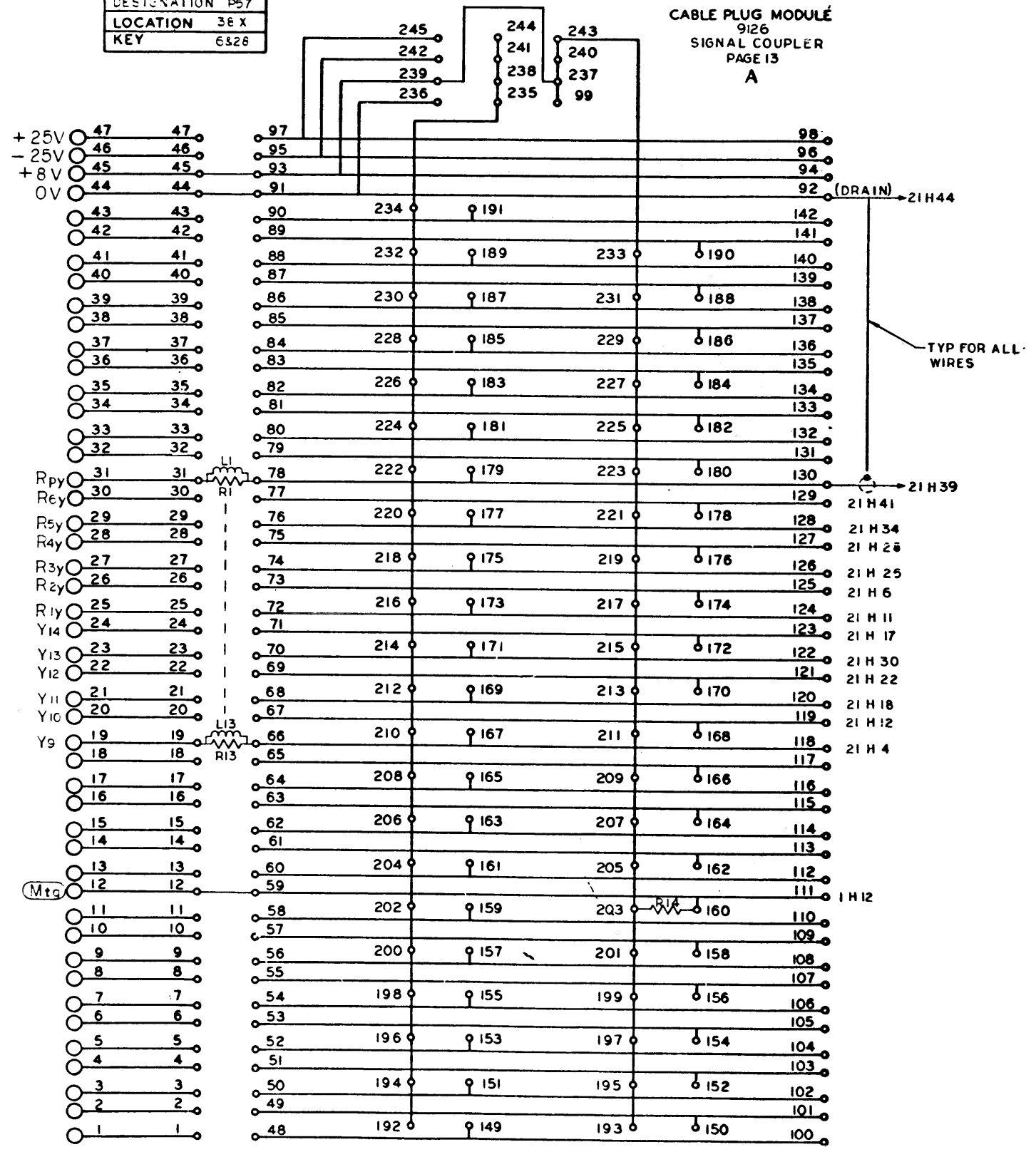
REV	DRAWING NO.	DESCRIPTION	REFERENCE DESIGNATION	ITEM NO.
MATERIAL LIST				
NOTES UNLESS SPECIFIED		DRAWN	SDS SCIENTIFIC DATA SYSTEMS	
1. TOLERANCES UNLESS OTHERWISE SPECIFIED		CHECK	1940 FORTIETH STREET SANTA MONICA CALIFORNIA	
2. ALL DIMENSIONS ARE IN INCHES		APPR	TITLE	
3. BREAK SHOWN		DIAGRAM, LOGIC SIGNAL COUPLER		
4. ALL DIM. TO CENTER		SCALE		
MODEL NO. 9126		REV. NO. D		103042
NEXT ASSY.		SHEET		A

1103042/A1

REVISIONS				103042	A
REV	DESCRIPTION	CHK	DATE	APPROVED	
A	RELEASED TO MFG	CJB	4/13/63	[Signature]	

DESIGNATION P57
 LOCATION 38 X
 KEY 6328

CABLE PLUG MODULE
 9126
 SIGNAL COUPLER
 PAGE 13
 A

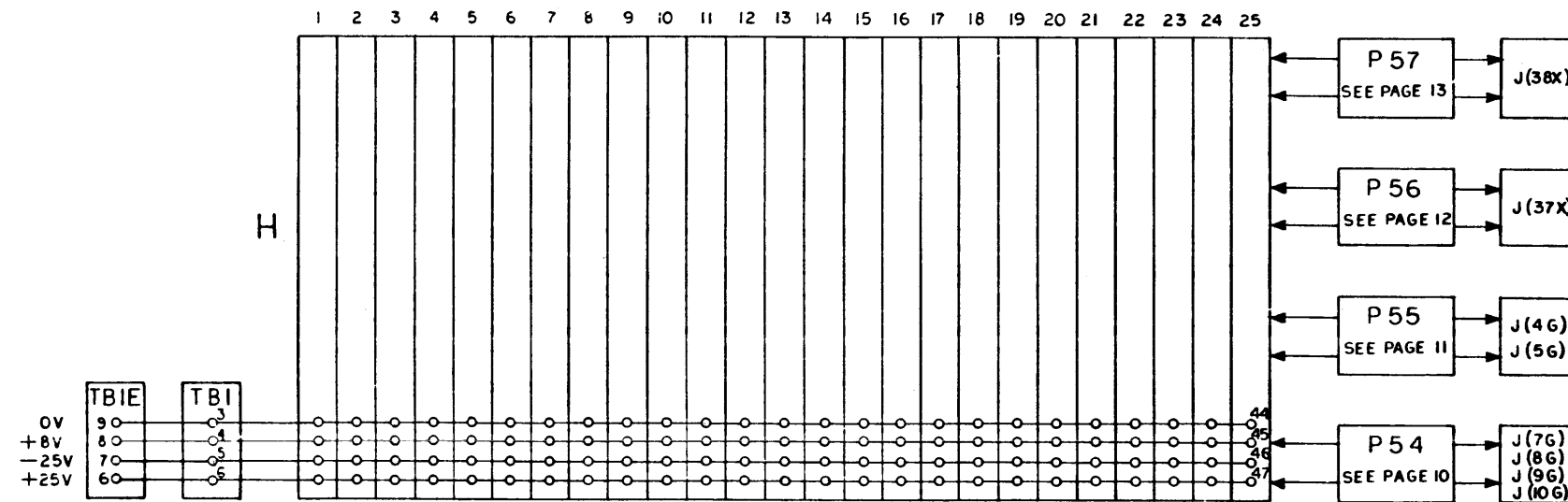


NO. REV	DRAWING NO.	DESCRIPTION	REFERENCE DESIGNATION	ITEM NO.
NOTES UNLESS SPECIFIED		MATERIAL LIST		
1. TOLERANCES UNLESS SPECIFIED		DRAWN	C. CASTRO	5-3-63
2. DIMENSIONS ARE IN INCHES		CHECK	C. J. B. [Signature]	6/9/63
3. BREAK ALL SHARP EDGES TO APPROX 1/16" RADIUS		APPR	[Signature]	6/1/63
4. HATCH SURFACES		TITLE		
5. ALL DIM. IN INCHES		DIAGRAM, LOGIC SIGNAL COUPLER		
MODEL NO. 9126		USE DWG NO.	D	103042
NEXT ASSY		SCALE	DO NOT SCALE DRAWING	SHEET

REVISIONS				103042	A
REV.	DESCRIPTION	CHK.	DATE	APPROVED	
A	RELEASED TO MFG	C/S	6/16/63	[Signature]	

NOTES:
 1. RECEPTACLES J (1H) THRU J (10H) PROVIDE SIGNAL CONNECTIONS EQUIVALENT TO THOSE OF CERTAIN INPUT/OUTPUT RECEPTACLES IN THE COMPUTER.

COMPUTER INPUT/OUTPUT RECEPTACLES	EQUIVALENT RECEPTACLE IN 9126	INPUT/OUTPUT FUNCTION OF RECEPTACLES
J (38 X)	J (1H)	Y BUFFER-MAGNETIC TAPE
J (37 X)	J (2H), J (3H)	Y BUFFER-INPUT/OUTPUT
J (4G), J (5G)	J (4H), J (5H)	EOM, SKS, POT INPUT/OUTPUT
J (11G)	J (6H)	W BUFFER-MAGNETIC TAPE
J (7G), J (8G), J (9G), J (10G)	J (7H), J (8H), J (9H), J (10H)	W BUFFER-INPUT/OUTPUT



9126
 SIGNAL COUPLER
 PAGE 14
 A

103042 A

REV. NO.	DRAWING NO.	DESCRIPTION	REFERENCE DESIGNATION	REV. NO.
NOTES UNLESS SPECIFIED				
1 TOLERANCES DIM. 2.000 ANGULAR 2.0° DIM. 2.000 2.0°		DRAWN G. CASTRO 5-24-63	MATERIAL LIST	
2 BREAK ALL SHARP EDGES AND APPROX.		CHECK [Signature] 6/16/63	SDS SCIENTIFIC DATA SYSTEMS 1545 FIFTEENTH STREET SANTA MONICA, CALIFORNIA	
3 HIDE SURFACES		APPR. [Signature]	TITLE DIAGRAM, LOGIC SIGNAL COUPLER	
4 ALL DIM. IN INCHES				
MODEL NO.	9126		REV. NO.	D 103042 A
NEXT ASSY.			SCALE	DO NOT SCALE DRAWING

REVISIONS				
REV	DESCRIPTION	CHK	DATE	APPROVED
A	RELEASED TO MFG	C/B	6/16/63	[Signature]
B	SEE REVISION E0			[Signature]

MODULE LIST			
ITEM	DESCRIPTION	MODEL	QTY
1	CABLE DRIVER	AX14	10
2	AND INVERTER	IL 12	5

REPLACEMENT PARTS LIST				
ITEM	DESCRIPTION	DESIGNATION	QTY	SUPPLIER CODE (SEE INDEX)
1	RESISTOR, 470Ω ± 2%	(P54) R1 THRU R16 (P55) R1 THRU R35 (P56) R1 THRU R3 (P57) R1 THRU R13	67	16,17
2	RESISTOR, 8.2KΩ ± 2%	(P54) R17 (P55) R36, R37, R38 (P56) R4 (P57) R14	6	16,17
3	INDUCTOR, 220 μf ± 5%	(P54) L1 THRU L16 (P55) L1 THRU L35 (P56) L1 THRU L3 (P57) L1 THRU L13	67	42,90,91
4	CONNECTOR, SOLDER TAIL, 47 CONTACT #7008-47	J(H) THRU J(25H)	25	82

9126
SIGNAL COUPLER
PAGE 15
B

103042 B

NO. REG.	DRAWING NO.	DESCRIPTION	REFERENCE DESIGNATION	ITEM NO.
MATERIAL LIST				
NOTES UNLESS SPECIFIED		DRAWN C. CASTRO 5-23-63	SDS SCIENTIFIC DATA SYSTEMS <small>1545 FIFTEENTH STREET SANTA MONICA CALIFORNIA</small>	
1 TOLERANCES UNLESS SPECIFIED .001" ANGULAR .010" 2.5" 2 BREAK ALL SHARP EDGES 3 45° SPINDLE 4 HATCH SURFACES 5 ALL DIM. IN INCHES		CHECK C/B 6/16/63		
MODEL NO. 9126		APPR. [Signature]	SIZE D	DWG NO. 103042 B
NEXT ASSY.		SCALE	DO NOT SCALE DRAWING	SHEET 5 OF 16

REVISIONS				
REV.	DESCRIPTION	CHK	DATE	APPROVED
A	RELEASED TO MFG	CJB	6/16/65	[Signature]
B	SEE REVISION E0	[Signature]	1/22/65	[Signature]

PAGE	CHG	PAGE	CHG	PAGE	CHG	PAGE	CHG	PAGE	CHG
2	A								
3									
4									
5									
6									
7									
8									
9									
10									
11									
12									
13									
14	A								
15	B								
16	B								

- NOTES:
 1. REV LETTERS LISTED INDICATE STATUS OF EACH SHEET OF THIS MULTIPLE SHEET DRAWING.
 2. CHECK INDIVIDUAL SHEETS FOR REVISION LETTER AGAINST THIS SHEET BEFORE USING THIS DRAWING.

9126
 SIGNAL COUPLER
 PAGE 16
 B

103042 | B |

NO. REV.	DRAWING NO.	DESCRIPTION	REFERENCE DESIGNATION	ITEM NO.
		MATERIAL LIST		
NOTES UNLESS SPECIFIED 1. TOLERANCES XX ± .000 YY ± .000 ZZ ± .000 2. BREAK ALL SHARP EDGES 3. HATCH SURFACES 4. ALL DIM. IN INCHES		DRAWN C. CASTRO 5-24-65 CHECK E. P. [Signature] 6/16/65 APPR [Signature] 6/16/65	SDS SCIENTIFIC DATA SYSTEMS 1885 FIFTEENTH STREET SANTA MONICA CALIFORNIA	TITLE DIAGRAM, LOGIC SIGNAL COUPLER
MODEL NO. 9126			SIZE D	DWG NO. 103042 B
NEXT ASSY.			SCALE	DO NOT SCALE DRAWING SHEET 16 OF 16